



ELECTRIC WINCH OWNER'S MANUAL

for
KT2000
12 Volt DC

Designed for use on ATV and
General Winching Applications.

Assembly & Operating Instructions

▲ CAUTION ▲

PLEASE READ ALL SAFETY PRECAUTIONS AND WARNINGS
BEFORE INSTALLING AND USING THE WINCH! IF YOU HAVE ANY QUESTIONS
PLEASE CONTACT OUR CUSTOMER SERVICE DEPARTMENT LISTED BELOW.

KEEPER CORPORATION
6 INDUSTRIAL PARK DRIVE
NORTH WINDHAM, CT 06256
800-533-7372
sales@keepercorp.com

Introduction

Thank you for purchasing your TraKker™ Winch.

PLEASE READ ALL INSTRUCTIONS, PAYING SPECIAL ATTENTION TO THE SAFETY INSTRUCTIONS.

Your TraKker™ Winch has been designed and manufactured to provide years of trouble-free operation. If you are not satisfied, for any reason, please contact Customer Service at 800-533-7372 or visit our website: www.trakkerwinch.com. When requesting information in regard to this winch, please give the following information:

Winch Part # _____ and Serial number _____.

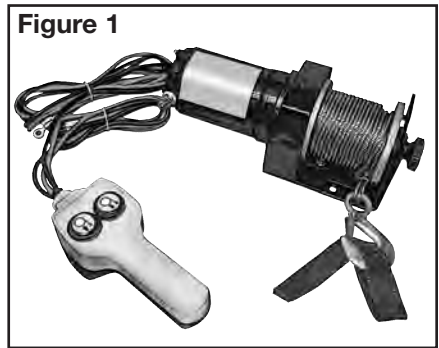
(Please write down this information here for future reference.) (Found on Motor Housing)

Please read and understand this Owner's Manual prior to installing and operating this product. **PAY PARTICULAR ATTENTION TO THE GENERAL SAFETY INFORMATION.** Your Winch is a powerful machine. If used unsafely or improperly, there is a possibility that property damage and/or personal injury can result. Your safety ultimately depends on your caution when using this product.

General Description

Each TraKker™ Winch is equipped with a permanent magnet motor and is designed for INTERMITTENT GENERAL DUTY USE.

This Winch (Figure 1) is not intended for use in industrial or hoisting applications and the manufacturer does not warrant it to be suitable for such use. The Freespool Clutch disengages the gearbox to allow the wire rope to be pulled out without using electric power. Remote Switch allows a wide variety of mounting options. A tension plate reduces backlash and snagging when pulling out the wire rope. Wire Cable Assembly length is 50 feet. Usable length is 47 feet. Hand held switch wire length is 5 1/2 feet to Battery and 4 feet to the Winch Motor.



Performance

KT2000

Line speed and Motor current (first layer)

Line Pull	Lbs	0	500	1000	1500	2000
	Kgs	0	227	454	680	907
Line speed	FPM	13	10	7	5.5	4.5
	MPM	3.96	3.05	2.13	1.68	1.37
Motor Current	Amps	8	40	70	90	110

Line pull & cable capacity

Layer of cable		1	2	3	4	5
Rated line pull per layer	Lbs	2000	1745	1550	1394	1266
	Kgs	907	792	703	632	574
Cable capacity per layer	Ft.	6.69	8.17	9.66	11.15	12.63
	M	2.0	2.49	2.94	3.4	3.85

Rolling Load Capacities (first layer)

Slope*	10% (4.5°)	20%(9°)	40%(18°)	100%(45°)
Lbs	10500	6803	4308	2175
Kgs	4763	3086	1954	987

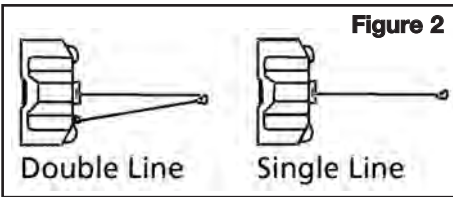
*Slope: a one foot rise in 10 foot length is a 10% slope. Above information is based on a vehicle with its rolling abilities in good condition and the surface is hard and smooth. Performance data and specifications may vary.

General Safety Information

! WARNING !

1. READ AND UNDERSTAND THIS MANUAL BEFORE OPERATING YOUR WINCH. After installing the Winch, practice using it before the need arises. NEVER ALLOW PERSONS UNFAMILIAR WITH THIS PRODUCT TO OPERATE IT. ALWAYS WEAR SAFETY GLASSES WHILE WORKING WITH MACHINERY.

2. DO NOT EXCEED RATED CAPACITY OF THE WINCH. DO NOT OVERLOAD! DO NOT ATTEMPT PROLONGED PULLS OF HEAVY LOADS! Overloads can damage the Winch and/or the wire rope and create unsafe operating conditions. FOR LOADS OVER 75% OF THE RATED WINCH CAPACITY, WE RECOMMEND THE USE OF A PULLEY BLOCK (not included) TO DOUBLE LINE THE WIRE ROPE (Figure 2). This reduces the load on the Winch, the strain on the wire rope and electrical system.



3. THE VEHICLE ENGINE SHOULD BE RUNNING DURING WINCH OPERATION. If winching is performed with the engine turned off, the battery may be too weak to restart the engine.

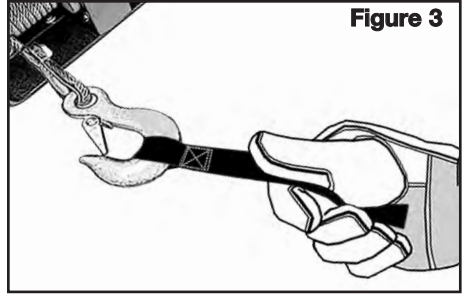
4. DO NOT "operate" your vehicle to assist the Winch in pulling the load. The combination of the Winch and vehicle pulling together could overload the wire rope and the Winch.

5. WHEN IN USE, ALWAYS STAND CLEAR OF WIRE ROPE, HOOK AND WINCH.

6. INSPECT WIRE ROPE AND EQUIPMENT FREQUENTLY. A FRAYED, KINKED OR FLATTENED WIRE ROPE NEEDS TO BE REPLACED IMMEDIATELY. Periodically check the Winch installation to ensure that all bolts are tight.

7. USE HEAVY LEATHER GLOVES when handling wire rope. DO NOT LET WIRE ROPE SLIDE THROUGH YOUR GLOVED OR UNGLOVED HANDS. ALWAYS USE THE HAND-SAVER STRAP when guiding the wire rope in or out. (Figure 3)

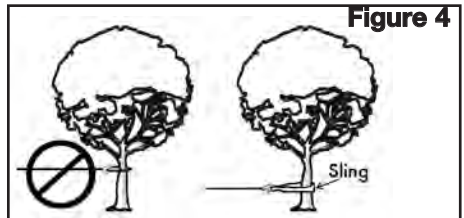
Your TraKker™ Winch is a very powerful machine. If used unsafely or improperly, serious personal injury and/or property damage can result.



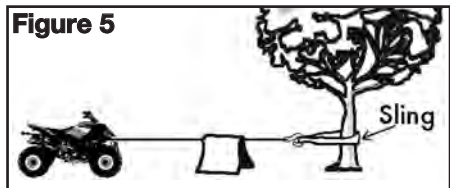
8. NEVER WINCH WITH LESS THAN 5 WRAPS OF WIRE ROPE AROUND THE WINCH DRUM since the wire rope end fastener may NOT withstand full load.

9. KEEP CLEAR OF WINCH, TAUT WIRE ROPE AND HOOK WHEN OPERATING WINCH. NEVER STEP OVER TAUT WIRE ROPE.

10. NEVER HOOK THE WIRE ROPE BACK ONTO ITSELF. This could damage the wire rope. Use a nylon sling for this type connection. (Figure 4)



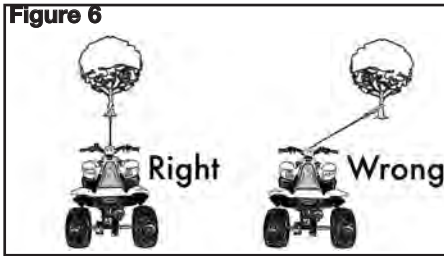
11. It is a good idea to lay a heavy cloth (such as a blanket or tarp) over the wire rope near the hook end when pulling heavy loads (Figure 5). If a wire rope failure should occur, the cloth will act as a damper and help prevent the wire rope from whipping.



12. NEVER USE YOUR WINCH FOR LIFTING OR MOVING PEOPLE!

13. YOUR WINCH IS NOT INTENDED FOR OVERHEAD HOISTING OPERATIONS.

14. AVOID CONTINUOUS PULLS FROM EXTREME ANGLES. This will cause the wire rope to pile up on one end of the drum (Figure 6). This can jam the wire rope in the Winch, causing damage to the wire rope or Winch.



15. NEVER OBSCURE THE WARNING INSTRUCTION LABELS ON THE WINCH.

16. Always operate Winch with an unobstructed view of the Winching operation.

17. Equipment such as hooks, pulley blocks, straps, etc. should be sized for winch capacity and periodically inspected for damage that could reduce their strength.

18. NEVER RELEASE FREESPOOL CLUTCH WHEN THERE IS A LOAD ON THE WINCH.

19. NEVER WORK ON OR AROUND THE WINCH DRUM WHEN WINCH IS UNDER LOAD.

20. DO NOT OPERATE WINCH WHEN UNDER THE INFLUENCE OF ANY DRUGS OR ALCOHOL.

21. ALWAYS DISCONNECT WINCH POWER LEADS TO BATTERY BEFORE WORKING ON OR AROUND THE WINCH DRUM so that Winch cannot be turned on accidentally.

22. When moving a load, slowly take up wire rope slack until it is taut. Stop, recheck all Winching connections. Be sure the hook is properly seated. If a nylon sling is used, check the attachment to the load.

23. When using your Winch to move a load, place the vehicle transmission in neutral, set vehicle hand-brake, and chock all wheels.

24. DO NOT USE THE WINCH TO HOLD LOADS IN PLACE. Use other means of securing loads such as tie-down straps. For tie-down information go to www.keepercorp.com.

25. USE ONLY FACTORY APPROVED SWITCHES, REMOTE CONTROLS AND ACCESSORIES. Use of non-factory approved components may cause injury or property damage and could void your warranty.

26. DO NOT MACHINE OR WELD ANY PART OF THE WINCH. Such alteration may weaken the structural integrity of the Winch and could void your warranty.

27. This is a 12 Volt DC Winch. CONNECT ONLY TO ATV, UTV OR CAR 12 VOLT BATTERY. DO NOT CONNECT WINCH TO EITHER 110V OR 220V AC CURRENT AS WINCH WILL BURNOUT OR FATAL SHOCK WILL OCCUR.

28. NEVER ALLOW SHOCK LOADS TO BE APPLIED TO WINCH OR WIRE ROPE.

29. USE EXTREME CAUTION WHEN PULLING OR LOWERING A LOAD UP AND DOWN A RAMP OR INCLINE.

30. KEEP PEOPLE, PETS, AND PROPERTY CLEAR OF WINCHING PATH, FRONT, REAR, AND SIDES.

Freespool Operation

Pull and turn the clutch knob to the disengage position as shown in Figure 7. NEVER RELEASE FREESPOOL CLUTCH WHEN THERE IS A LOAD ON THE WINCH. DO NOT FORCE THE KNOB. Release tension on the clutch by jogging out some of the wire rope. Release the clutch and pull out the wire rope and secure to anchor or load. Check that there are at least five (5) wraps of wire rope left on the drum. Re-engage the drum by returning the clutch knob to the engaged position (Figure 7).



⚠ CAUTION ⚠

Clutch must be fully engaged before Winching. NEVER ENGAGE CLUTCH KNOB WHILE DRUM IS TURNING.

⚠ CAUTION ⚠

The clutch knob has been adjusted and permanently locked in place with a thread locking compound at the factory. Do not attempt to re-adjust the knob.

Winch Installation

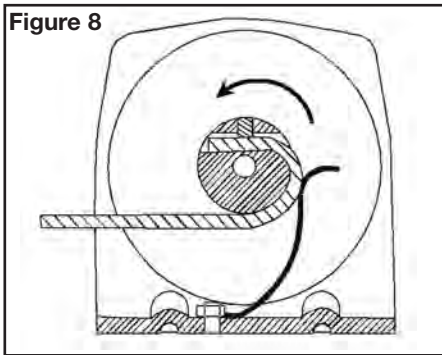
Correct installation of your Winch is required for proper operation.

Mounting kits are available for most popular ATV, UTV and trailer applications. Call 800-533-7372 or go to www.trakkerwinch.com.

Detailed mounting instructions are provided with each mounting kit. Read and follow directions carefully to ensure proper Winch alignment and trouble free operation.

This Winch **MUST** be mounted with the wire rope in the under-wind direction (Figure 8)

Figure 8



⚠ WARNING ⚠

Improper mounting could damage your Winch and void your warranty.

Step 1. Install mounting kit or structural support for Winch (not included) to ATV or other vehicle or surface.

Step 2. Mount the Winch to the mounting kit base plate or to the mount that you have designed. Mount must be a flat surface capable of handling winch loads. The mounting bolts supplied are the correct length for use with a 1/4" (5mm) thick mounting plate. If mounting plate is thicker than 1/4" (5mm) adjust bolt length accordingly. Use only metric M8 diameter, grade 8.8 bolts.

⚠ WARNING ⚠

DO NOT SUBSTITUTE ANY STRENGTH GRADE BOLT AND NUTS LESS THAN ISO GRADE 8.8.

Step 3. Before making electrical connections disconnect the vehicle battery leads.

⚠ WARNING ⚠

Batteries contain gases, which are flammable and explosive. WEAR EYE PROTECTION DURING INSTALLATION AND REMOVE ALL METAL JEWELRY. Do not lean over battery while making connections.

⚠ WARNING ⚠

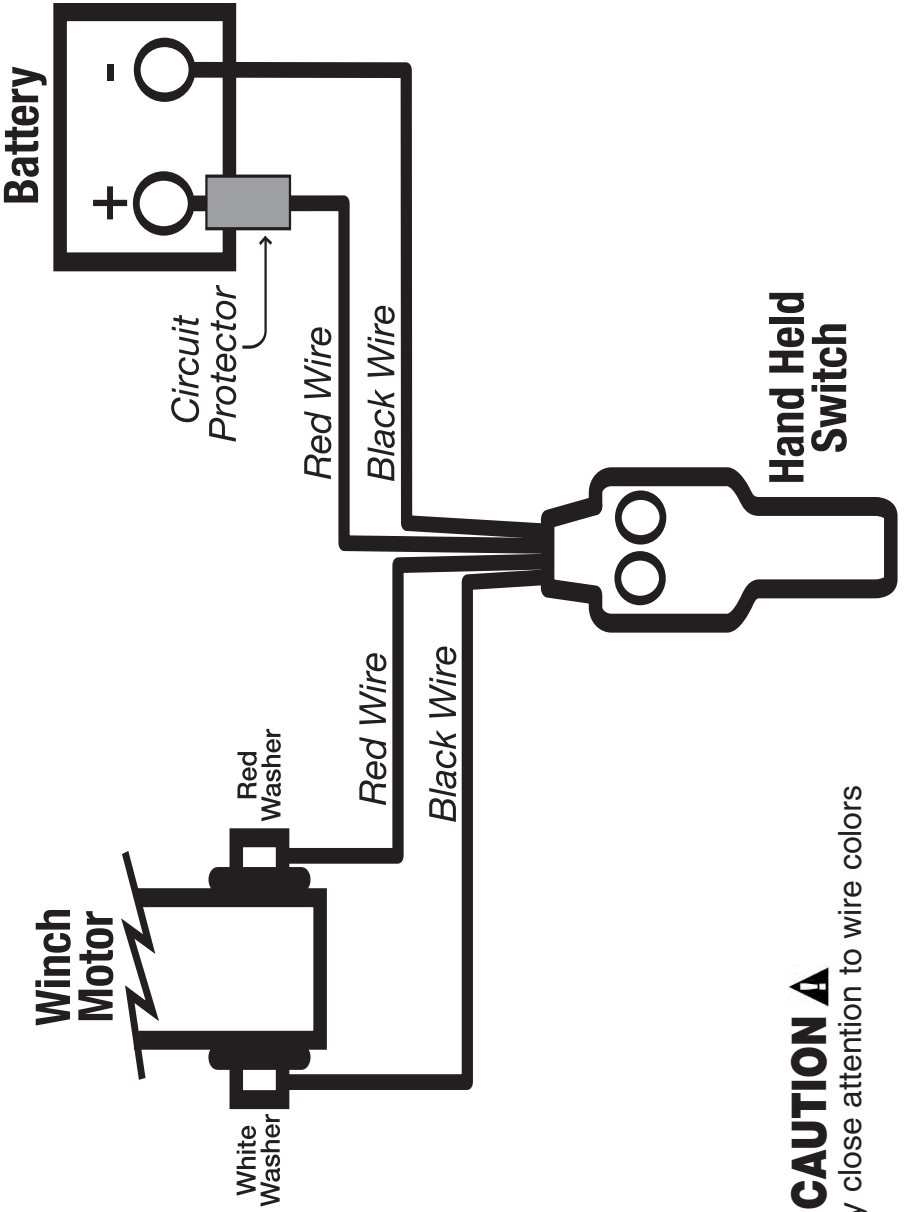
Ensure that the wiring harness does not interfere or come in contact with any hot or moving engine, suspension, steering, braking or exhaust parts.

Step 4. Follow electrical connection diagram (Figure 9) paying close attention to wire color connections from the battery, to the hand held switch, to the winch.

Step 5. Reconnect the battery.

Step 6. Pull and turn the freespool clutch knob to the disengage position (See Figure 7). Pull several feet of wire rope off the drum. Return the freespool clutch dial back to engaged position. Activate the Winch cable in and out by momentarily pressing the hand held switch to check drum rotation direction. If the drum rotates in the wrong direction, recheck your wiring. If not working in the correct position you may have reversed the wires on the motor. Then check the switch wires to make sure they are connected properly.

Figure 9



CAUTION ⚠

Pay close attention to wire colors

Extending the Life of Your Winch

1. KEEP A TIGHTLY WOUND WIRE ROPE DRUM. Keep the wire rope tightly and evenly wound on the drum all the time. Do not allow the wire rope to become loosely wound. A loosely wound drum allows a wire rope under load to work its way down into the layers of wire rope on the drum. When this happens, the wire rope may become wedged within the body of the windings damaging the wire rope. A good practice is to rewind the wire rope under tension after each use. Apply tension using hand saver strap (Figure 3) and ALWAYS wear gloves.

2. DO NOT ALLOW WINCH MOTOR TO OVERHEAT. Keep the duration of pulls as short as possible. If the motor becomes uncomfortably hot by touching, stop winching and allow the motor to cool down. KEEP THE VEHICLE ENGINE RUNNING TO RECHARGE THE BATTERY during the cooling break.

3. USE A PULLEY BLOCK FOR HEAVY LOADS. To maximize Winch and wire rope life, use a pulley block (*not included*) to double line heavier loads. (See Figure 2) (See www.trakkerwinch.com) Always use a pulley block that is rated twice the capacity of the winch.

CAUTION

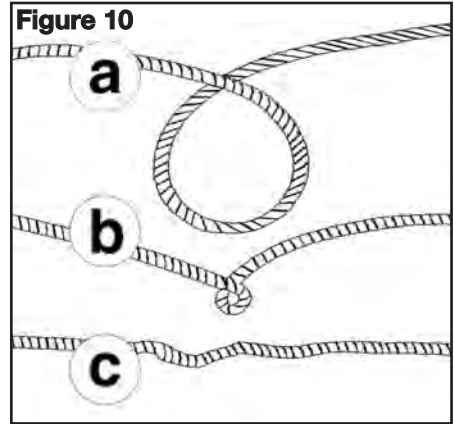
IF THE WINCH MOTOR STALLS, DO NOT CONTINUE TO APPLY POWER.

4. The pull required to start a load moving is often much greater than the pull required to keep it moving. AVOID FREQUENT STOPS AND STARTS DURING THE PULL.

5. PREVENT KINKS BEFORE THEY OCCUR. (Figure 10)

- This is the start of a kink. Wire rope should be straightened.
- Wire rope was pulled and loop has tightened into a kink. Wire rope is now permanently damaged and MUST be replaced
- Result of kinking is that each strand pulls a different amount causing strands under greatest tension to break and reduce load capacity of wire rope.

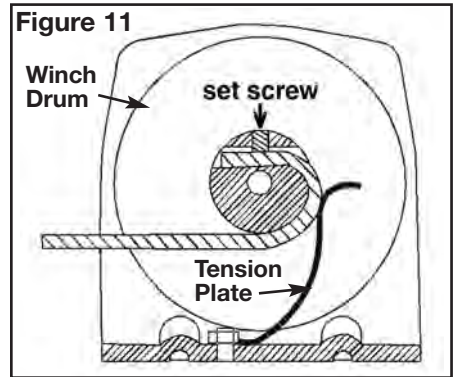
The wire rope MUST be replaced. (Contact sales@keepercorp.com)



REPLACING THE WIRE ROPE

WARNING

NEVER SUBSTITUTE A HEAVIER OR LIGHTER WIRE ROPE. Never use rope made of any other materials other than wire. Use only 5/32" diameter 7x19 Galvanized Wire Rope. Attach wire rope to the drum. When inserting the wire rope into the drum, insert it into the correct end of the opening provided (Figure 11). Tighten set screw securely.



Maintenance & Repair

WARNING

Before each use, check mounting bolts for tightness, inspect cable for damage. Inspect remote control assembly for any damage. Periodically use a clean, dry towel to remove dirt and debris.

LUBRICATION: The gear box is permanently lubricated.

DO NOT ATTEMPT TO DISASSEMBLE THE GEAR BOX. THIS WILL VOID YOUR WARRANTY.

Troubleshooting

If a problem arises, call Keeper Corporation Customer Service at 800-533-7372 or sales@keepercorp.com.

Symptom	Possible Causes	Corrective Action
Motor will not operate or runs in one direction only	<ol style="list-style-type: none">1. Broken wires or bad battery connection2. Switch inoperative3. Damaged Circuit breaker4. Damaged winch	<ol style="list-style-type: none">1. Check for poor electrical connection2. Replace switch*3. Replace circuit breaker*5. Replace winch
Motor runs extremely hot	<ol style="list-style-type: none">1. Long period of operation2. Damaged during operation	<ol style="list-style-type: none">1. Allow to cool2. Replace winch
Motor runs but with insufficient power or line speed	<ol style="list-style-type: none">1. Weak/Low battery2. Battery to Winch wire too long3. Poor battery connection4. Poor ground5. Damaged motor	<ol style="list-style-type: none">1. Recharge or replace battery Check charging system2. Keep winch within distance allowed by supplied lead wires.3. Check battery terminals for corrosion. Clean as required4. Check and clean connections5. Replace winch
Motor runs but drum does not turn	Clutch not engaged	Engage clutch
Winch runs backwards	<ol style="list-style-type: none">1. Battery wires reversed2. Switch wires reversed3. Switch installed incorrectly	<ol style="list-style-type: none">1. Recheck wiring2. Recheck wiring3. Check switch installation
Winch coast	Excessive load	Reduce load or double line

*The replacement parts for KT2000 are limited to switch, circuit breaker and wire rope. Contact KEEPER CORPORATION Customer Service at 800-533-7372 or email us at sales@keepercorp.com

All information contained herein is subject to change and/or correction without notice.

LIMITED LIFETIME WARRANTY: Keeper Corporation Warrants product according to provisions below: Mechanical components are warranted for lifetime of the winch to be free from defects of material and workmanship. Electrical components are warranted for 1 year to be free from defects of material or workmanship. If a defect in material or workmanship occurs, call 800-533-7372 for instructions on how to have the Product repaired or replaced. This Warranty applies only to the original Purchaser/Consumer of the Products from the date of purchase of the Product. Defective Products returned become property of the manufacturer. Limitations on the Warranty: The following limitations apply to the Warranty: (a) The Warranty applies only to Products which are defective in material or workmanship. This Warranty does not cover normal wear and tear. The Warranty does not cover service or labor charges which are incurred in removing or replacing any Product. (b) The Warranty does not cover the winch finish or wire rope. Accordingly, the manufacturer will not replace, repair or refinish any Products if the finish on the Product is worn in any manner. (c) The Warranty does not extend to Products which are damaged or which fail as a result of the Product being abused, neglected, or misused in any manner, or as a result of any accident, or which are misapplied, overloaded, improperly installed, or altered in any manner by anyone other than the manufacturer its agents or representatives.

Obligations of Purchaser/Consumer. To obtain the benefits of the Warranty, The Purchaser/Consumer must return the defective Product(s), freight prepaid together with proof of purchase within the warranty period from the date of purchase to Keeper Corporation or an authorized service center.

Legal Rights and Limitations of Purchaser/Consumer. THIS WARRANTY GIVES YOU SPECIFIC LEGAL RIGHTS AND YOU ALSO MAY HAVE OTHER RIGHTS WHICH VARY FROM STATE TO STATE. ANY IMPLIED WARRANTY OF MERCHANTABILITY OR FITNESS FOR A PARTICULAR PURPOSE ON ANY PRODUCT SHALL BE LIMITED TO TERMS OF WARRANTY FROM THE DATE OF PURCHASE AT RETAIL TO THE ORIGINAL PURCHASER. SOME STATES DO NOT ALLOW LIMITATIONS

KEEPER CORPORATION, 6 INDUSTRIAL PARK DRIVE, NORTH WINDHAM, CONNECTICUT 06256
800-533-7372



MANUAL PARA EL PROPIETARIO DEL CABRESTANTE TRAKKER™

KT2000 CABRESTANTE DE CC DE 12 VOLTIOS

Diseñado para el uso en vehículos ATV,
y aplicaciones generales de tiro.

PRECAUCIONES DE SEGURIDAD E INSTRUCCIONES DE INSTALACIÓN OPERACIÓN Y MANTENIMIENTO

▲PRECAUCIÓN▲

ANTES DE INSTALAR Y USAR EL CABRESTANTE LE RECOMENDAMOS QUE LEA TODAS LAS PRECAUCIONES Y ADVERTENCIAS DE SEGURIDAD! SI TIENE ALGUNA PREGUNTA LE SUGERIMOS COMUNICARSE CON NUESTRO DEPARTAMENTO DE SERVICIO AL CLIENTE QUE SE INDICA A CONTINUACIÓN.

KEEPER CORPORATION
6 INDUSTRIAL PARK DRIVE
NORTH WINDHAM, CT 06256
800-533-7372
sales@keepercorp.com

Introducción

Muchas gracias por comprar el cabrestante TraKker™. LE SUGERIMOS LEER TODAS LAS INSTRUCCIONES CON ESPECIAL ATENCIÓN EN LAS INSTRUCCIONES DE SEGURIDAD. El cabrestante TraKker™ ha sido diseñado y fabricado para funcionar sin problemas durante muchos años. Si por algún motivo no está satisfecho, comuníquese con Servicio al Cliente al 800-533-7372 o visite nuestro sitio Web: www.trakkerwinch.com
 Cuando solicite información referente a este cabrestante, proporcione la siguiente información:

Núm. de ref. del cabrestante # _____ y número de serie _____
 (Le sugerimos anotar aquí esta información para referencia futura).

Lea y asegúrese de entender este Manual para el Propietario antes de instalar y usar este producto. **PRESTE ESPECIAL ATENCIÓN A LA INFORMACIÓN GENERAL DE SEGURIDAD.** Su cabrestante es una herramienta potente. Si se la utiliza sin cuidado o de manera inadecuada, pueden producirse daños a la propiedad o a la persona. Su seguridad depende, en última instancia, de las precauciones que usted tome al usar este producto.

Descripción general

Cada cabrestante está equipado con un motor de imán permanente y está diseñado para lo siguiente
USO GENERAL INTERMITENTE.

Este cabrestante no está diseñado para aplicaciones industriales ni de izado y el fabricante no garantiza que el producto sea apropiado para un uso como tal.

El embrague de enrollado a mano o Freespool desactiva la caja de engranajes para permitir que el cable metálico se extraiga sin necesidad de energía eléctrica. El interruptor remoto permite una amplia variedad de opciones de montaje. Una placa de tensión reduce la acción de contragolpe y traba del cable metálico al jalarlo.

La longitud de montaje del cable metálico es de 50 pies (15.2m). La longitud utilizable es de 47 pies (14.4m). La longitud del cable del interruptor remoto es de 5.5 pies (1.6m). La distancia de las correas de cableado a la batería es de 4 pies (1.2m).

Figura 1



Desempeño

KT2000

Velocidad de la línea y motor corriente (primera capa)

Potencia de la línea	Lbs	0	500	1000	1500	2000
	Kgs	0	227	454	680	907
Velocidad de la línea	FPM	13	10	7	5.5	4.5
	MPM	3.96	3.05	2.13	1.68	1.37
Corriente del motor	Amperes	8	40	70	90	110

Potencia de la línea y cable capacidad

Capa de cable		1	2	3	4	5
	Línea nominal potencia por capa	Lbs	2000	1745	1550	1394
Kgs		907	792	703	632	574
Capacidad de cable por capa	Pies	6.69	8.17	9.66	11.15	12.63
	M	2.0	2.49	2.94	3.4	3.85

Carga rodante Capacidades

Pendiente*	10% (4.5°)	20%(9°)	40%(18°)	100%(45°)
Lbs	10500	6803	4308	2175
Kgs	4763	3086	1954	987

*Pendiente: un pie de elevación en una longitud de 10 pies constituye una pendiente del 10%. La información anterior está basada en un vehículo con sus capacidades de rodaje en buen estado y sobre una superficie dura y uniforme.

Los datos de desempeño y las especificaciones pueden variar.

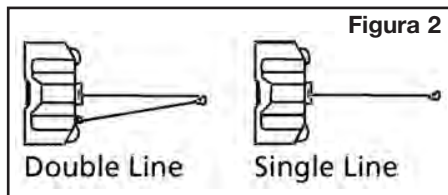
Información general de seguridad

⚠ ADVERTENCIA ⚠

Su cabrestante TRAKKER™ es una máquina muy potente. El uso sin cuidado o de manera inadecuada puede ocasionar daños a la propiedad o a la persona.

1. LEA Y ENTIENDA ESTE MANUAL ANTES DE USAR SU CABRESTANTE. Después de instalar el cabrestante, practique el uso con anticipación. NUNCA PERMITA QUE PERSONAS QUE NO ESTÉN FAMILIARIZADAS CON ESTE PRODUCTO LO USEN. SIEMPRE USE ANTEOJOS DE SEGURIDAD AL TRABAJAR CON MAQUINARIA.

2. NO EXCEDA LA CAPACIDAD RECOMENDADA DEL CABRESTANTE. EVITE LA SOBRECARGA. NO INTENTE TIROS PROLONGADOS DE CARGAS PESADAS. La sobrecarga puede dañar el cabrestante y/o el cable metálico y así crear condiciones de operación riesgosas. PARA CARGAS QUE EXCEDAN EL 75% DE LA CAPACIDAD NOMINAL DEL CABRESTANTE, RECOMENDAMOS USAR UNA POLEA DIFERENCIAL (no incluida) PARA FORMAR UN CABLE METÁLICO DOBLE. (Figura 2). Esto reduce la carga en el cabrestante y la tensión en el cable metálico.



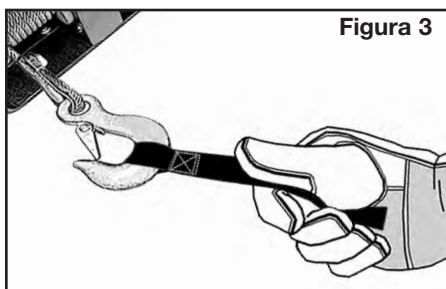
3. EL MOTOR DEL VEHÍCULO DEBE ESTAR ENCENDIDO MIENTRAS EL CABRESTANTE ESTÁ EN FUNCIONAMIENTO. Si se hace funcionar el cabrestante con el motor apagado, es posible que la batería no tenga la fuerza suficiente para volver a encender el motor.

4. NO "mueva" su vehículo para ayudar al cabrestante a tirar la carga. La combinación del cabrestante y su vehículo tirando juntos puede sobrecargar el cable metálico y el cabrestante.

5. CUANDO ESTÉN EN USO, MANTÉNGASE ALEJADO DEL CABLE METÁLICO, EL GANCHO Y EL CABRESTANTE.

6. INSPECCIONE EL CABLE METÁLICO Y EL EQUIPO FRECUENTEMENTE. SE DEBE REEMPLAZAR DE INMEDIATO UN CABLE METÁLICO DESHILACHADO, CON QUIEBRES O ALISADO. Controle periódicamente la instalación del cabrestante para asegurarse de que todos los tornillos estén ajustados.

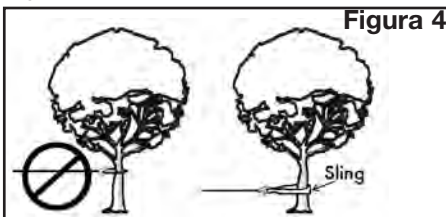
7. USE LOS GUANTES DE CUERO GRUESOS al trabajar con el cable metálico. NO DEJE QUE EL CABLE METÁLICO SE DESLICE POR SUS MANOS, YA SEA CON O SIN GUANTES. SIEMPRE USE LA CORREA "HAND-SAVER" para poner o sacar el cable metálico. (Figura 3)



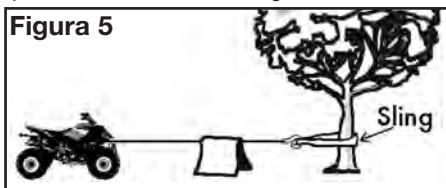
8. NUNCA USE EL CABRESTANTE CON MENOS DE 5 VUELTAS DE CABLE METÁLICO EN EL TAMBOR ya que es posible que el cierre del extremo del cable metálico NO soporte una carga completa.

9. ALÉJESE DEL CABRESTANTE, CABLE METÁLICO TIRANTE Y GANCHO AL OPERAR EL CABRESTANTE. NUNCA SE PARE SOBRE EL CABLE METÁLICO TIRANTE.

10. NUNCA ENGANCHE EL CABLE METÁLICO A SÍ MISMO. Hacerlo puede dañar el cable metálico. Use un estrobo de nylon para este tipo de conexión. (Figura 4)



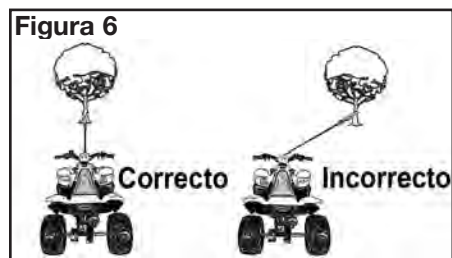
11. Se recomienda colocar un paño pesado (como por ejemplo una frazada o una lona) sobre el cable metálico cerca del extremo del gancho cuando se esté jalando cargas pesadas (Figura 5). De producirse una falla en el cable metálico, el paño actuará como un amortiguador y ayudará a evitar que el cable metálico de un latigazo.



12. NUNCA USE EL CABRESTANTE PARA LEVANTAR O MOVER PERSONAS.

13. EL CABRESTANTE NO FUE DISEÑADO PARA OPERACIONES DE IZADO.

14. EVITE TIRAR CONTINUAMENTE DESDE ÁNGULOS EXTREMOS. Esto hará que el cable metálico se enrolle en un extremo del tambor (Figura 6). Esto puede atascar el cable metálico en el cabrestante y provocar daños en el cable metálico o en el cabrestante.



15. NUNCA OCULTE LOS LETREROS DE ADVERTENCIA EN EL CABRESTANTE.

16. Opere siempre el cabrestante con una vista completa de la operación de tiro.

17. El equipamiento como ganchos, poleas, correas, etc. debe tener el tamaño adecuado para la capacidad de arrastre y ser inspeccionado periódicamente para detectar daños que puedan reducir su fuerza.

18. NUNCA SUELTE EL EMBRAGUE PARA ENROLLADO MANUAL CUANDO HAYA UNA CARGA EN EL CABRESTANTE.

19. NUNCA TRABAJE SOBRE O CERCA DEL TAMBOR DEL CABRESTANTE CUANDO EL CABRESTANTE ESTÁ BAJO CARGA.

20. NO MANEJE EL CABRESTANTE CUANDO ESTÉ BAJO LA INFLUENCIA DE DROGAS O ALCOHOL.

21. SIEMPRE DESCONECTE LOS CABLES DEL CABRESTANTE A LA BATERÍA ANTES DE TRABAJAR SOBRE O CERCA DEL TAMBOR DEL CABRESTANTE de manera que el Cabrestante no se pueda encender accidentalmente.

22. Cuando mueva una carga, lentamente tire de la cuerda floja hasta que esté tirante. Deténgase y vuelva a controlar todas las conexiones del Cabrestante. Asegúrese de que el gancho esté montado correctamente. Si se utiliza un estrobo de nylon, controle su acoplamiento a la carga.

23. Cuando utilice su cabrestante para mover una carga, coloque la transmisión de su vehículo todo terreno en neutro, active el freno de mano del vehículo y bloquee todas las ruedas.

24. NO USE EL CABRESTANTE PARA SOSTENER CARGAS. Use otro método para asegurar cargas, como por ejemplo correas de amarre. Para obtener información de amarre visite www.keepcorp.com.

25. SÓLO USE INTERRUPTORES, CONTROLES REMOTOS Y ACCESORIOS APROBADOS POR EL FABRICANTE. El uso de componentes no aprobados por el fabricante puede resultar en lesiones o daños a la propiedad y puede anular su garantía.

26. NO TRABAJE O SUELDE NINGUNA PARTE DEL CABRESTANTE. Tal alteración puede debilitar la integridad estructural del cabrestante y puede anular su garantía.

27. Este cabrestante funciona con 12 voltios de CC. CONECTE LA UNIDAD SOLAMENTE A LA BATERÍA DE UN ATV, UTV O AUTOMÓVIL DE 12 Voltios. NO CONECTE EL CABRESTANTE A CORRIENTES DE 110 V NI DE 220 V, YA QUE EL CABRESTANTE SE QUEMARÁ O SE PRODUCIRÁ UNA DESCARGA ELÉCTRICA FATAL.

28. Nunca permita que se apliquen cargas eléctricas al cabrestante o al cable metálico.

29. TENGA SUMO CUIDADO AL TIRAR O BAJAR UNA CARGA EN UNA RAMPA O TERRENO INCLINADO. MANTENGA A LAS PERSONAS, MASCOTAS Y BIENES MATERIALES AJEJADOS DE LA TRAYECTORIA DEL FRENTE, COSTADOS Y PARTE TRASERA DE LA OPERACIÓN DE TIRO.

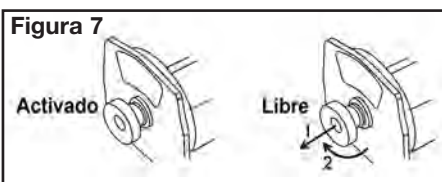
Funcionamiento manual

Gire la perilla del embrague a la posición libre como se muestra en la Figura 7. NUNCA SUELTE EL EMBRAGUE PARA ENROLLADO MANUAL CUANDO HAYA UNA CARGA EN EL CABRESTANTE. NO FUERCE EL CUADRANTE. Para soltar la tensión en el embrague, suelte parte del cable metálico.

Suelte el embrague, tire del cable metálico y asegure el anclaje o la carga. Verifique que queden al menos cinco (5) vueltas de cable metálico en el tambor. Vuelva a activar el tambor girando la perilla del embrague a la posición activado. (Figura 7)

⚠ PRECAUCIÓN ⚠

El embrague debe estar totalmente activado antes de iniciar el Cabrestante. NUNCA ACTIVE LA PERILLA DEL EMBRAGUE MIENTRAS ESTÁ GIRANDO EL TAMBOR.



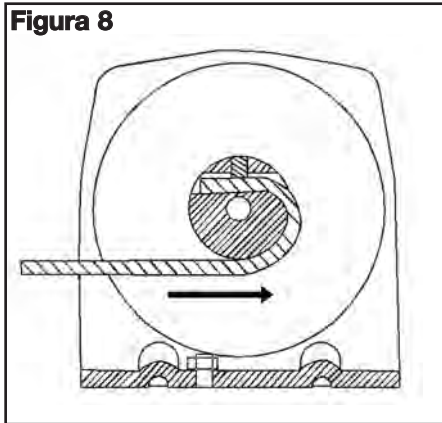
⚠ PRECAUCIÓN ⚠

La perilla del embrague se ajusta y trava permanentemente con un compuesto de traba de cincha en la fábrica. No intente volver a ajustar la perilla.

Instalación

Para que su cabrestante funcione de manera correcta se lo debe instalar de manera adecuada. Hay disponibles kits de montaje para los vehículos todo terreno y utilitarios ATV/UTV más populares. Llame 800-533-7372 o visite www.trakkerwinch.com. Los kits de montaje traen instrucciones detalladas de montaje. Lea y siga las instrucciones cuidadosamente para garantizar el alineado correcto del cabrestante y su funcionamiento sin problemas. Este cabrestante se DEBE montar con el cable metálico en dirección descendente (Figura 8).

Figura 8



⚠ ADVERTENCIA ⚠

El montaje erróneo puede dañar su cabrestante y anular su garantía.

Paso 1. Instale el kit de montaje o soporte estructural para el cabrestante (no incluido) en el vehículo utilitario (ATV), en otro vehículo o en la superficie.

Paso 2. Monte el cabrestante a la placa base del kit de montaje o a la plataforma que haya diseñado. La plataforma debe ser una superficie plana que pueda resistir las cargas del cabrestante. Los pernos de montaje suministrados tienen la longitud correcta para el uso con una placa de montaje de 1/4" (5 mm) de grosor. Si la placa de montaje es más gruesa que 1/4" (5 mm) ajuste la longitud de los pernos consecuentemente. Use solamente pernos métricos de diámetro M8, grado 8.8.

⚠ ADVERTENCIA ⚠

NO SUSTITUYA EL GRADO DE FUERZA DE NINGÚN TORNILLO O TUERCA QUE TENGA UN GRADO ISO INFERIOR A 8.8.

Paso 3. Antes de realizar conexiones eléctricas, desconecte los cables de la batería del vehículo.

⚠ ADVERTENCIA ⚠

Las baterías contienen gases, que son inflamables y explosivos. DURANTE LA INSTALACIÓN, USE PROTECCIÓN OCULAR Y QUITÉSE LAS JOYAS DE METAL. No se incline sobre la batería al realizar conexiones.

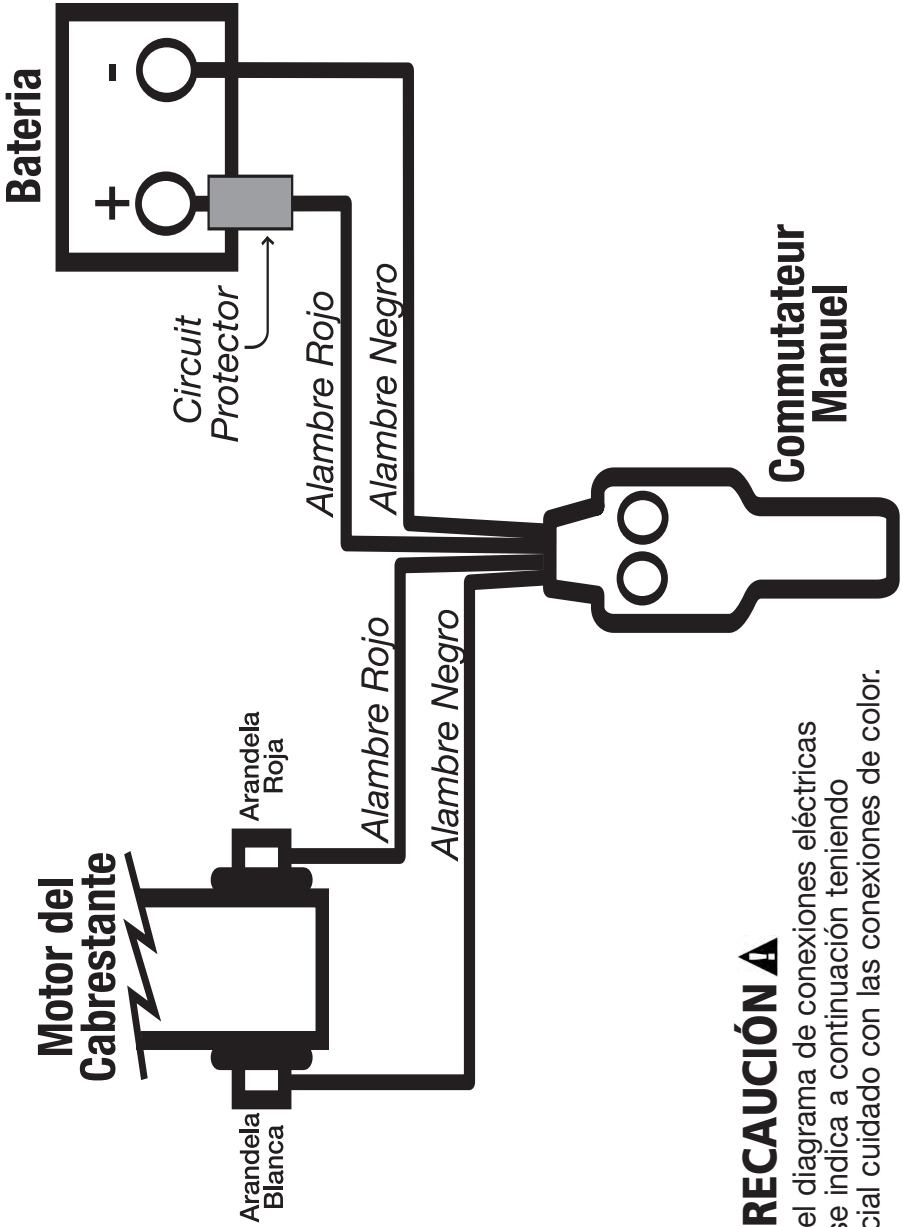
⚠ ADVERTENCIA ⚠

Asegúrese que el arnés de cableado no interfiera ni se ponga en contacto con partes calientes o en movimiento del motor, suspensión, dirección, frenos o escape.

Paso 4. Siga el diagrama (Figura 9) de conexiones eléctricas que se indica a continuación. Instale el solenoide cerca de la batería sobre una superficie sólida.

Paso 5. Vuelva a conectar la batería.

Paso 6. Gire el cuadrante del embrague de enrollado manual a la posición libre (Ver la figura 9). Extraiga varios pies de cable metálico del tambor. Regrese el cuadrante del embrague de enrollado manual a la posición de activado. Active momentáneamente el cable del cabrestante hacia dentro y hacia afuera presionando el interruptor para comprobar la dirección de giro del tambor. Si el tambor gira en la dirección equivocada, vuelva a revisar la conexión. Si no está funcionando en la posición correcta seguramente se ha invertido la posición de los alambres azul y amarillo en cada extremo. Si aún funciona en la dirección invertida inspeccione los alambres rojo y negro para verificar que no estén invertidos en cualquiera de los extremos. Después inspeccione los alambres del interruptor para cerciorarse de que estén conectados debidamente.



▲ PRECAUCIÓN ▲

Siga el diagrama de conexiones eléctricas que se indica a continuación teniendo especial cuidado con las conexiones de color.

Para prolongar la vida de su cabrestante

1. MANTENGA EL TAMBOR DEL CABLE BIEN ENROLLADO. Mantenga el cable metálico enrollado de manera pareja y bien ajustado en el tambor en todo momento. No permita que el cable metálico se afloje. Un tambor flojo permite que el cable metálico bajo la carga se deslice hacia las capas inferiores de cable metálico en el tambor. Cuando esto sucede, el cable metálico puede acuciarse dentro del cuerpo del bobinado y dañarse. Es bueno rebobinar el cable metálico bajo tensión después de cada uso. Aplique tensión utilizando una correa hand saver (Figura 3) y SIEMPRE use guantes.

2. NO PERMITA QUE EL MOTOR DEL CABRESTANTE SE SOBRECALIENTE. Asegúrese de que la duración de los tirajes sea lo más corta posible. Si el motor parece muy caliente al tacto, detenga el proceso y deje que el motor se enfríe. A 1250 lb (567 kg), permita que el motor se enfríe después de 20 segundos del momento de encendido. Con cargas de hasta 500 lb (227 kg) o menos, permita que el motor se enfríe después de 2-1/2 minutos del momento de encendido. MANTENGA EL MOTOR DEL VEHÍCULO EN FUNCIONAMIENTO PARA RECARGAR LA BATERÍA durante el período de enfriamiento.

3. USE UNA POLEA DIFERENCIAL PARA CARGAS PESADAS. Para maximizar la vida útil del cabrestante y del cable metálico, use una polea diferencial (no incluida) (incluida solamente en los cabrestantes KT3000 lb) para crear un cable doble para cargas más pesadas. (Figura 2) Siempre use una polea diferencial cuya capacidad sea del doble de la capacidad del cabrestante.

⚠ PRECAUCIÓN ⚠

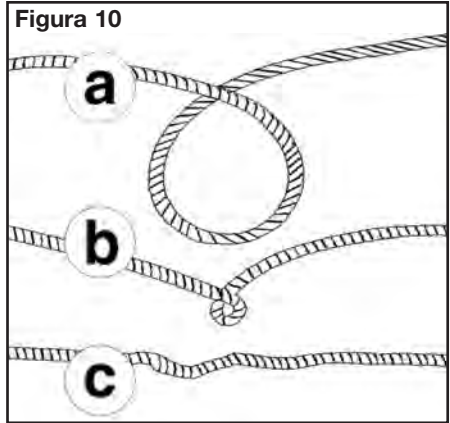
SI EL MOTOR DEL CABRESTANTE SE DETIENE, DEJE DE APLICAR FUERZA.

4. La potencia requerida para comenzar a mover una carga es, por lo general, muy superior a la potencia requerida para hacerla continuar una vez que está en movimiento. EVITE PARAR Y ARRANCAR FRECUENTEMENTE MIENTRAS ESTÉ TIRANDO.

5. EVITE LOS NUDOS ANTES DE QUE OCURRAN. (Figura 10)

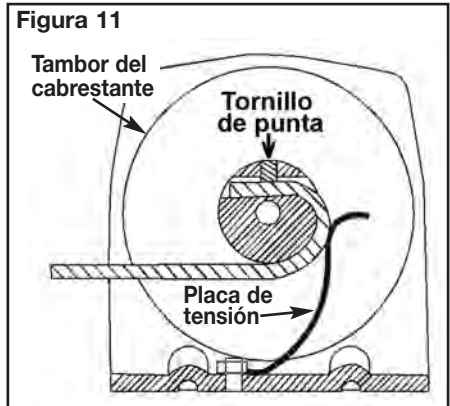
- Inicio de un nudo. Debe estirarse el cable metálico.
- Se estiró el cable metálico y al estirar la laza se formó un nudo. El cable metálico está permanentemente dañado y DEBE reemplazarse
- Como consecuencia del nudo, cada filamento

tira de manera diferente y hace que los filamentos bajo mayor tensión se rompan y así se reduce la capacidad de carga del cable metálico. El cable metálico DEBE ser reemplazado.



REEMPLAZO DEL CABLE METÁLICO

Nunca reemplace un cable con uno más pesado o más liviano. Nunca utilice cables de ningún material que no sea metálico. Use sólo cable metálico galvanizado 7x19 de 5/32" de diámetro. Sujete el cable metálico al tambor. Al insertar el cable metálico al tambor, insértelo en el extremo correcto de la abertura proporcionada (Figura 11). Ajuste bien el tornillo de punta.



Mantenimiento y reparación

⚠ ADVERTENCIA ⚠

Antes de usar, compruebe que los tornillos estén ajustados y que el cable no esté dañado.

Compruebe que el montaje del control remoto no esté dañado.

Periódicamente use una toalla limpia y seca para quitar suciedad y desechos.

Lubricación:

La caja de engranajes se lubrica permanentemente.

NO INTENTE DESARMARLA. SI LO HACE, SE ANULARÁ LA GARANTÍA.

Solución de problemas

Si ocurre algún problema, llame a Servicio a los Clientes de Keeper Corporation al 800-533-7372.

Síntoma	Posibles causas	Acción correctiva
El motor no funciona o funciona sólo en una dirección	<ol style="list-style-type: none"> 1. Cables dañados o mala conexión de la batería 2. Interruptor dañado 3. Cabrestante dañado 4. Disyuntor dañado 	<ol style="list-style-type: none"> 1. Compruebe la conexión 2. Cambie el interruptor* 3. Reemplácelo o repárelo 4. Reemplace el disyuntor*
El motor está muy caliente	<ol style="list-style-type: none"> 1. Período de operación prolongado 2. Se dañó al operarse 	<ol style="list-style-type: none"> 1. Permita que se enfríe 2. Reemplace el cabrestante
El motor funciona pero la capacidad o velocidad no es suficiente	<ol style="list-style-type: none"> 1. Batería sin carga 2. Cable de conexión de la batería con el cabrestante demasiado largo 3. Conexión deficiente de la batería 4. Conexión a tierra insuficiente 5. Motor dañado 	<ol style="list-style-type: none"> 1. Inspeccione el sistema de carga 2. Mantenga el cabrestante dentro de la distancia que permiten los cables suministrados 3. Controle si hay corrosión en los polos de la batería. Limpie según se requiera 4. Compruebe y limpie las conexiones 5. Reemplace el cabrestante
El motor funciona pero el tambor no gira	No está activado el embrague	Active el embrague
El cabrestante funciona hacia atrás	<ol style="list-style-type: none"> 1. Los cables de la batería están invertidos 2. Los cables del interruptor están invertidos 3. El interruptor no está instalado correctamente 	<ol style="list-style-type: none"> 1. Controle el cableado 2. Vuelva a inspeccionar el cableado 3. Controle la instalación del interruptor
El cabrestante se desliza	Carga excesiva	Reduzca la carga o use un cable doble

**Las piezas de repuesto para el KT2000 están limitadas al interruptor, disyuntor, cable metálico*

Toda la información contenida en el presente documento está sujeta a cambios y correcciones sin aviso previo.

GARANTÍA LIMITADA DE POR VIDA: Keeper Corporation garantiza el producto de acuerdo con las disposiciones siguientes: Los componentes mecánicos tienen la garantía, durante toda la vida útil del cabrestante, de que están exentos de defectos de materiales y de fabricación. Los componentes eléctricos tienen la garantía, de 1 año, de estar exentos de defectos de materiales o de fabricación. Si se produce un defecto de materiales o de fabricación, llame al 800-533-7372 para obtener instrucciones para la reparación o reemplazo de este Producto. Esta garantía cubre solamente al comprador/consumidor original de los productos a partir de la fecha de compra del producto. Los productos defectuosos devueltos pasan a considerarse de propiedad del fabricante. Limitaciones de la Garantía: Las siguientes limitaciones rigen sobre la Garantía: (a) La Garantía sólo se aplica a Productos que presentan defectos materiales o de fabricación. Esta Garantía no cubre el desgaste natural. La Garantía no cubre el costo de reparación o mano de obra en el que se incurra al quitar o reemplazar el Producto. (b) La Garantía no cubre el acabado del cabrestante ni el cable metálico. Por consiguiente, el fabricante no reemplazará, arreglará o retocará el acabado de ningún Producto si el acabado del Producto se hubiese deteriorado de cualquier manera. (c) La Garantía no cubre aquellos Productos que estén dañados o que no funcionen como resultado del abuso, descuido o mal uso del Producto, o como resultado de un accidente, o si fue mal aplicado, sobrecargado, instalado incorrectamente o modificado de alguna manera por persona alguna que no sea el fabricante, sus agentes o representantes. Deberes del Comprador/Consumidor. Para obtener los beneficios de esta Garantía, el Comprador/Consumidor deberá devolver el producto defectuoso, con porte postal prepago junto con el comprobante de compra dentro del período de garantía contado desde la fecha de compra a Keeper Corporation o a un centro de servicio autorizado.

Derechos y limitaciones legales al Comprador/Consumidor. ESTA GARANTÍA LE OTORGA DERECHOS LEGALES ESPECÍFICOS Y USTED TAMBIÉN PUEDE TENER OTROS DERECHOS, LOS CUALES VARÍAN DE UN ESTADO A OTRO. CUALQUIER GARANTÍA IMPLÍCITA DE COMERCIALIZACIÓN O IDONEIDAD PARA UN FIN ESPECÍFICO DE CUALQUIER PRODUCTO HABRÁ DE LIMITARSE A LAS DISPOSICIONES DE LA GARANTÍA A PARTIR DE LA FECHA DE LA COMPRA MINORISTA QUE CUBRE AL COMPRADOR ORIGINAL. ALGUNOS ESTADOS NO PERMITEN LIMITACIONES

KEEPER CORPORATION, 6 INDUSTRIAL PARK DRIVE, NORTH WINDHAM, CONNECTICUT 06256
800-533-7372

TRAKKER™ PRECAUCIONES DE SEGURIDAD E INSTRUCCIONES DE INSTALACIÓN OPERACIÓN Y MANTENIMIENTO 2008
KT2000



GUIDE D'UTILISATION DU TREUIL TRAKKER™

KT2000C TREUIL SOUS 12 VOLTS C.C.

Conçu pour une utilisation sur un ATV pour les applications générales de traction de charge.

CONSIGNES DE SÉCURITÉ, D'INSTALLATION, D'UTILISATION ET D'ENTRETIEN

▲ ATTENTION ▲

IL EST TRÈS IMPORTANT DE LIRE TOUS LES AVERTISSEMENTS ET TOUTES LES CONSIGNES DE SÉCURITÉ AVANT D'INSTALLER ET D'UTILISER LE TREUIL! SI VOUS AVEZ DES QUESTIONS, VEUILLEZ CONTACTER NOTRE SERVICE CLIENTS, DONT LES COORDONNÉES APPARAISSENT CI-DESSOUS.

KEEPER CORPORATION
6 INDUSTRIAL PARK DRIVE
NORTH WINDHAM, CT 06256
800-533-7372
sales@keepercorp.com

Introduction

Merci d'avoir acheté ce treuil TraKker™. VEUILLEZ LIRE TOUTES LES INSTRUCTIONS, AVEC UNE ATTENTION SPÉCIALE AUX CONSIGNES DE SÉCURITÉ. Le treuil TraKker™ a été conçu et fabriqué pour fonctionner pendant de nombreuses années dans le moindre ennuï technique. Si vous n'en êtes pas satisfait pour une raison quelconque, veuillez contactez notre service clients au 800-533-7372 ou allez sur www.trakkerwinch.com.

Si vous demandez des informations concernant votre treuil, vous devez donner les informations suivantes :

N° de modèle du treuil : _____ N° de série : _____
(Veuillez noter ces informations ici dès aujourd'hui pour référence future.)

Avant d'installer et d'utiliser ce produit, il est très important de lire et comprendre ce guide d'utilisation. **ACCORDEZ UNE ATTENTION SPÉCIALE AUX CONSIGNES DE SÉCURITÉ.** Votre treuil est un appareil puissant. S'il n'est pas employé correctement ou s'il est utilisé de manière dangereuse, il pourrait causer des dommages matériels et des blessures. Votre sécurité dépend de votre prudence durant l'utilisation de ce produit.

Chaque treuil est équipé d'un moteur à aimant permanent et il est conçu pour un USAGE GÉNÉRAL INTERMITTENT. Ce treuil n'est pas conçu pour une utilisation dans des applications industrielles ou de levage et le fabricant ne garantit pas qu'il peut convenir à de tels usages.

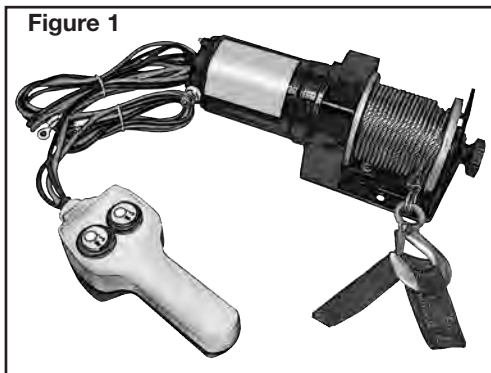
Description générale

Chaque treuil est équipé d'un moteur à aimant permanent et il est conçu pour un USAGE GÉNÉRAL INTERMITTENT.

Ce treuil (Figure 1) n'est pas conçu pour une utilisation dans des applications industrielles ou de levage et le fabricant ne garantit pas qu'il puisse convenir à de tels usages.

L'embrayage de déroulement débraille la boîte d'engrenages pour permettre de dérouler le câble métallique sans utiliser d'énergie électrique. Une télécommande permet d'installer l'équipement avec une grande variété de configurations.

Le câble métallique a une longueur de 15,24 mètres (50 pieds). La longueur utilisable est de 14,2 mètres (47 pieds). Le fil de la télécommande a une longueur de 1,68 mètre (5,5 pieds). La longueur du faisceau de câblage de la batterie est de 1,22 mètre (4 pieds).



Fiche technique

KT2000

Vitesse du câble
et courant
du moteur
(1ère couche)

Force de traction	lb	0	500	1000	1500	2000
	kg	0	227	454	680	907
Vitesse du câble	pi/min	13	10	7	5.5	4.5
	m/min	3.96	3.05	2.13	1.68	1.37
Courant du moteur	A	8	40	70	90	110

Force de traction
et capacité
du câble

Couche de câble		1	2	3	4	5
Capacité nominale de traction par couche	lb	2000	1745	1550	1394	1266
	kg	907	792	703	632	574
Capacité du câble par couche	pi	6.69	18.17	9.66	11.15	12.63
	m	2.0	2.49	2.94	3.4	3.85

Capacités de charge roulante
(1ère couche)

Pente*	10% (4,5°)	20%(9°)	40%(18°)	100%(45°)
lb	10500	6803	4308	2175
kg	4763	3086	1954	987

*Pente : Une élévation d'un mètre sur une distance de 10 mètres correspond à une pente de 10%. Les informations ci dessus sont basées sur un véhicule dont le matériel de roulement est en bon état, circulant sur une surface dure et lisse.

Les données de performance et les spécifications techniques peuvent varier.

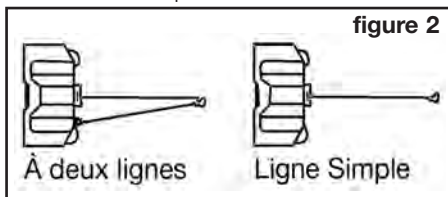
Consignes de sécurité générale

AVERTISSEMENT

Votre treuil TRAKKER™ est un appareil très puissant. S'il est utilisé incorrectement ou de manière dangereuse, il risque de causer des dommages matériels importants et des blessures graves.

1. AVANT D'UTILISER CE TREUIL, IL EST TRÈS IMPORTANT DE LIRE ET COMPRENDRE CE MANUEL. Après l'installation du treuil, entraînez vous à l'utiliser avant que survienne une situation où il sera nécessaire. NE PERMETTEZ QUE CE PRODUIT SOIT UTILISÉ PAR UNE PERSONNE N'EN CONNAISSANT PAS BIEN LE FONCTIONNEMENT. LORSQUE VOUS UTILISEZ CET ÉQUIPEMENT, PORTEZ TOUJOURS DES LUNETTES DE SÉCURITÉ.

2. NE DÉPASSEZ JAMAIS LA CAPACITÉ NOMINALE DU TREUIL. ÉVITEZ TOUTE SURCHARGE! NE TENTEZ PAS DE TIRER UNE CHARGE LOURDE PENDANT UNE LONGUE PÉRIODE! Une surcharge pourrait endommager le treuil et le câble métallique, ce qui les rendrait ensuite dangereux. SI UNE CHARGE DÉPASSE 75% DE LA CAPACITÉ NOMINALE DE TRACTION, IL EST RECOMMANDÉ D'UTILISER UNE MOUFLE (non incluse) POUR DOUBLER LE CÂBLE MÉTALLIQUE (figure 2). Une moufle permet de réduire la charge sur le treuil et la tension exercée sur le câble métallique.



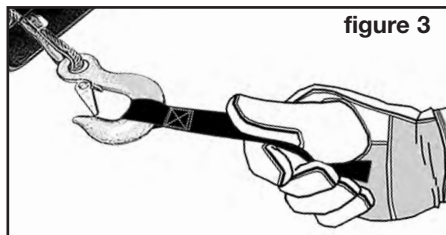
3. DURANT LES OPÉRATIONS DE TREUILLAGE, LE MOTEUR DU VÉHICULE DOIT TOUJOURS FONCTIONNER. Si vous effectuez un treuillage avec le moteur éteint, la batterie risque ensuite d'être trop faible pour faire démarrer le moteur.

4. NE FAITES PAS fonctionner le véhicule pour aider le treuil à tirer une charge. La force combinée du treuil et du déplacement du véhicule risquent de surcharger le câble métallique et le treuil.

5. LORSQUE LE TREUIL FONCTIONNE, DEMEUREZ TOUJOURS À BONNE DISTANCE DU CÂBLE MÉTALLIQUE, DU CROCHET ET DU TREUIL.

6. INSPECTEZ FRÉQUEMMENT LE TREUIL ET LE CÂBLE MÉTALLIQUE. UN CÂBLE MÉTALLIQUE EFFILOCHÉ, Plié OU ÉCRASÉ DOIT ÊTRE IMMÉDIATEMENT REMPLACÉ. Vérifiez périodiquement l'installation du treuil en vous assurant particulièrement que tous les boulons sont serrés.

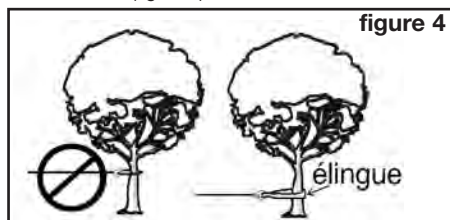
7. PORTEZ DES GANTS EN CUIR ÉPAIS lorsque vous manipulez le câble métallique. NE LAISSEZ JAMAIS LE CÂBLE GLISSER DANS VOS MAINS, MÊME SI VOUS PORTEZ DES GANTS. UTILISEZ TOUJOURS LA SANGLE DE SÉCURITÉ lorsque vous tenez le câble pendant qu'il s'enroule ou se déroule (figure 3).



8. NE TIREZ JAMAIS UNE CHARGE AVEC MOINS DE 5 TOURS DE CÂBLE MÉTALLIQUE SUR LE TAMBOUR DU TREUIL car l'attache d'extrémité du câble pourrait NE PAS supporter toute la charge tenue par le câble.

9. LORSQUE LE TREUIL FONCTIONNE, DEMEUREZ À BONNE DISTANCE DU TREUIL, DU CÂBLE TENDU ET DU CROCHET. NE PASSEZ JAMAIS AU-DESSUS DU CÂBLE MÉTALLIQUE TENDU.

10. N'ACCROCHEZ JAMAIS LE CROCHET SUR LE CÂBLE. Vous risqueriez d'endommager le câble. Utilisez une élingue en nylon pour ce type de raccordement (figure 4).



11. Lorsque vous tirez une charge très lourde, il est recommandé d'installer une toile épaisse (p. ex. une couverture ou une bâche) sur le câble métallique à proximité du crochet (figure 5). Si le câble venait à se rompre, la toile empêcherait le câble de fouetter l'air.

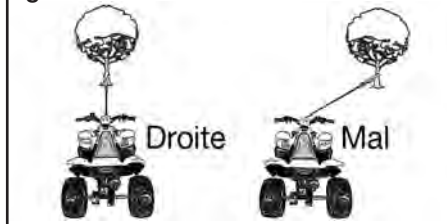


12. N'UTILISEZ JAMAIS LE TREUIL POUR LEVER OU TIRER QUELQU'UN!

13. VOTRE TREUIL N'EST PAS CONÇU POUR EFFECTUER DES OPÉRATIONS DE LÈVAGE.

14. ÉVITEZ DE TIRER AVEC UN ANGLE PRONONCÉ PENDANT UNE LONGUE PÉRIODE. Ce type d'utilisation provoque l'enroulement du câble sur une extrémité du tambour (figure 6) et le câble pourrait se coincer, occasionnant ainsi des dommages au treuil et au câble même.

figure 6



15. VOUS NE DEVEZ PAS DÉTRUIRE OU CACHER LES ÉTIQUETTES DE SÉCURITÉ SUR LE TREUIL.

16. Le treuil doit toujours être utilisé avec une vue dégagée du site de treuillage.

17. Les accessoires (crochets, moufles, sangles, etc.) doivent avoir une capacité compatible avec le treuil et doivent faire l'objet d'inspections périodiques pour repérer les dommages susceptibles d'en réduire la solidité.

18. NE RELÂCHEZ JAMAIS L'EMBRAYAGE DE DÉROULEMENT LORSQU'UNE CHARGE TEND LE TREUIL.

19. NE TRAVAILLEZ JAMAIS SUR OU À PROXIMITÉ DU TREUIL LORSQU'IL EST SOUS TENSION PAR UNE CHARGE.

20. LES UTILISATEURS DU TREUIL NE DOIVENT PAS ÊTRE SOUS L'INFLUENCE DE L'ALCOOL OU D'UNE DROGUE.

21. AVANT DE TRAVAILLER SUR OU À PROXIMITÉ DU TAMBOUR DU TREUIL, VOUS DEVEZ TOUJOURS DÉCONNECTER LES FILS RELIANT LE TREUIL À LA BATTERIE afin d'éviter tout actionnement accidentel du treuil.

22. Lorsque vous déplacez une charge, tirez lentement le jeu du câble jusqu'à ce qu'il soit à peine tendu, puis arrêtez tout et vérifiez toutes les connexions de treuillage. Assurez-vous que le crochet est correctement installé. Si une élingue en nylon est utilisée, vérifiez son installation sur la charge.

23. Lorsque vous utilisez le treuil pour déplacer une charge, placez la transmission du véhicule au point mort, serrez le frein à main du véhicule et placez des cales sous toutes les roues.

24. N'UTILISEZ JAMAIS LE TREUIL POUR TENIR UNE CHARGE EN PLACE. Utilisez d'autres moyens pour retenir la charge, notamment des sangles d'arrimage. Des conseils utiles d'arrimage sont disponibles sur www.keepecorp.com.

25. UTILISEZ UNIQUEMENT DES COMMUTATEURS, DES TÉLÉCOMMANDES ET DES ACCESSOIRES APPROUVÉS PAR LE FABRICANT. L'utilisation de composants non autorisés par le fabricant pourrait annuler la garantie de l'équipement, ainsi que causer des dommages matériels et des blessures graves.

26. IL EST INTERDIT DE FRAISER OU DE SOUDER QUOI QUE CE SOIT SUR LE TREUIL. De telles opérations risqueraient d'affaiblir l'intégrité structurelle du treuil et pourrait en annuler la garantie.

27. Ce treuil est conçu pour fonctionner avec un courant continu sous 12 volts. IL NE PEUT ÊTRE CONNECTÉ QU'À UNE BATTERIE DE VÉHICULE SOUS 12 VOLTS. NE TENTEZ PAS DE LE CONNECTER À UNE PRISE DE COURANT ALTERNATIF SOUS 110 VOLTS OU 220 VOLTS CAR VOUS BRÛLERIEZ ALORS LE MOTEUR DU TREUIL ET VOUS RISQUERIEZ UNE ÉLECTROCUTION MORTELLE.

28. Ne permettez jamais qu'une charge exerce des secousses sur le câble métallique ou sur le treuil.

29. SOYEZ EXTRÊMEMENT PRUDENT LORSQUE VOUS MONTEZ OU DESCENDEZ UNE CHARGE SUR UN PLAN INCLINÉ. ASSUREZ-VOUS QU'IL N'Y A PERSONNE, NI ANIMAL NI OBJET SUR LE DEVANT, LES CÔTÉS ET L'ARRIÈRE DU TRAJET DE TREUILLAGE.

Utilisation de l'embrayage de déroulement

Tournez le bouton de l'embrayage en position de débrayage conformément à la figure 8. NE DÉBRAYEZ JAMAIS L'EMBRAYAGE DE DÉROULEMENT LORSQU'UNE CHARGE EXERCE UNE TENSION SUR LE TREUIL. NE FORCEZ PAS SUR LE CADRAN. Pour aider à relâcher la tension sur l'embrayage, tirez le câble par petites secousses.

Débrayez le mécanisme d'embrayage et sortez le câble puis accrochez le sur un dispositif d'ancrage ou sur la charge. Assurez-vous qu'il reste au moins 5 tours de câble sur le tambour du treuil. Embrayez le mécanisme d'embrayage du tambour en plaçant le bouton à la position de traction (figure 7).

figure 7



⚠ ATTENTION ⚠

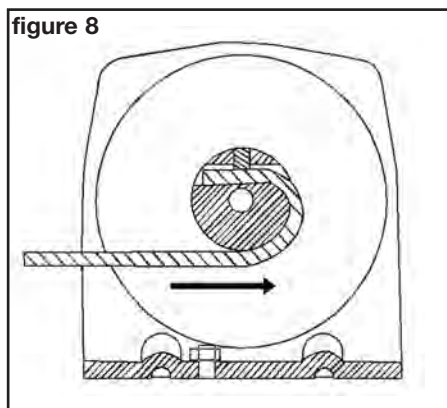
L'embrayage doit être complètement embrayé avant de commencer le treuillage. NE TOUCHEZ JAMAIS LE MÉCANISME D'EMBRAYAGE PENDANT QUE LE TAMBOUR TOURNE.

⚠ ATTENTION ⚠

Le bouton d'embrayage a été ajusté et installé en usine de façon permanente avec un adhésif de vissage. Ne tentez pas de régler la position du bouton.

Installation

Pour fonctionner correctement, il est important que votre treuil soit bien installé. Des trusses de fixations de montage sont disponibles pour la plupart des véhicules tout terrain de sport ou utilitaires (voir sur www.trakkerwinch.com). Des instructions de montage détaillées sont incluses dans chaque trousse. Lisez et observez attentivement les instructions afin que votre treuil soit bien aligné et qu'il puisse fonctionner sans ennui technique. Ce treuil DOIT être monté avec le câble métallique enroulé par le dessous (figure 8)



AVERTISSEMENT

Si le treuil est mal installé, il risque d'être endommagé et sa garantie ne serait pas valable.

Étape 1. Installez les fixations montage ou le support structurel du treuil (non inclus) sur le véhicule sur ou la surface de montage.

Étape 2. Fixez le treuil sur la plaque de base de la trousse de montage ou sur le support que vous avez fabriqué. La base et la surface de montage doivent pouvoir supporter les charges que tirera le treuil. Les boulons de montage inclus sont conçus pour une utilisation avec une plaque de montage d'une épaisseur de 6 mm (1/4 po). Si la plaque de montage est plus épaisse, utilisez des boulons plus longs. Utilisez uniquement des boulons métriques de diamètre M8 et de calibre 8.8.

AVERTISSEMENT

NE REMPLACEZ AUCUN BOULON OU ÉCROU PAR DES BOULONS OU ÉCROUS INFÉRIEURS AU CALIBRE ISO 8.8.

Étape 3. Avant de raccorder les connexions électriques, déconnectez les câbles de la batterie.

AVERTISSEMENT

Les batteries contiennent des gaz inflammables et explosifs. DURANT CETTE PROCÉDURE D'INSTALLATION, PORTEZ DES LUNETTES DE SÉCURITÉ ET ENLEVEZ TOUS VOS BIJOUX MÉTALLIQUES. Ne vous penchez pas au-dessus de la batterie lorsque vous effectuez les connexions.

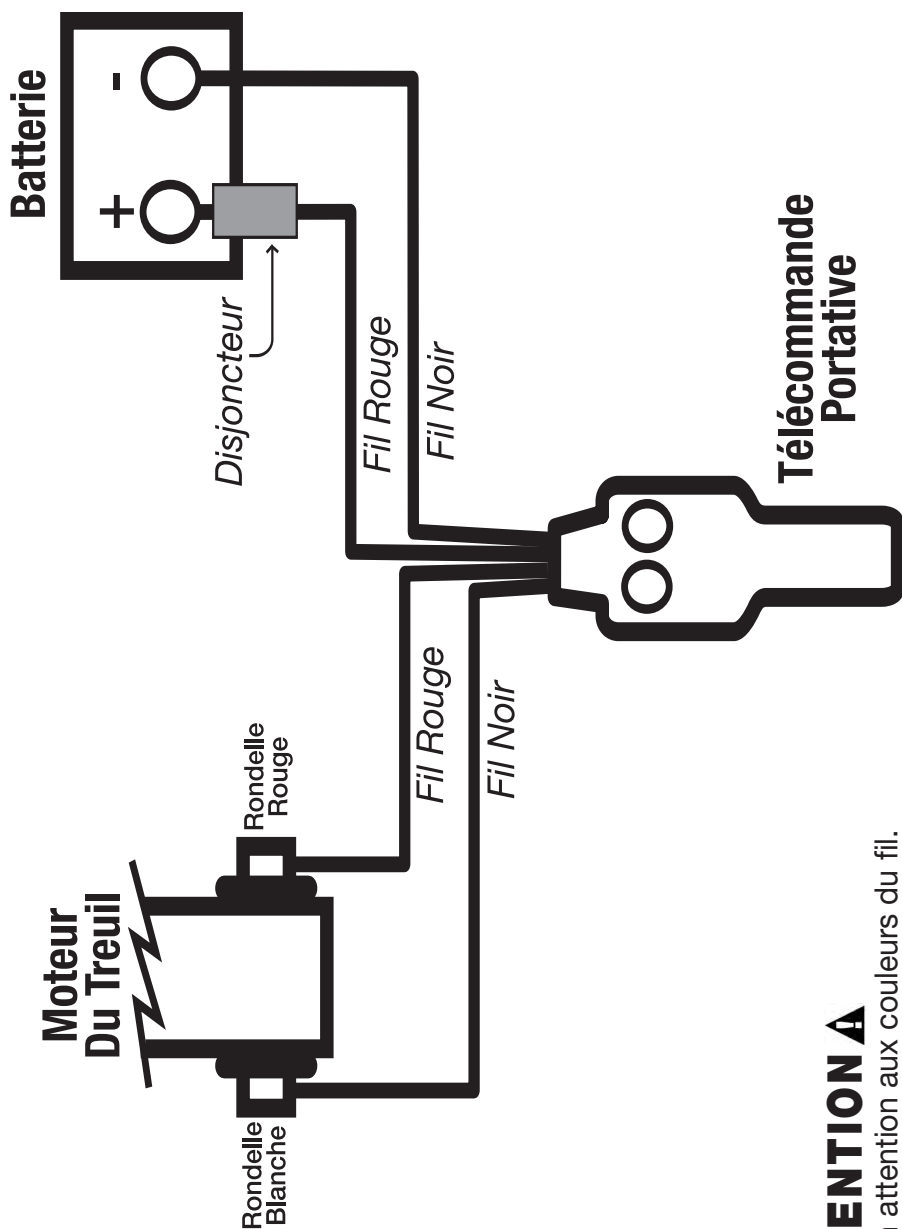
AVERTISSEMENT

IMPORTANT : Assurez-vous que le faisceau de fils n'entre ou n'entre en contact avec toute pièce chaude ou mobile du moteur, de la suspension, du volant, du frein ou de l'échappement.

Étape 4. Suivez le schéma de connexions électriques ci dessous (Figure 9). Installez le solénoïde à proximité de la batterie sur une surface solide.

Étape 5. Reconnectez la batterie.

Étape 6. Tournez le bouton à cadran de l'embrayage de déroulement en position débrayé (voir la figure 7 ci dessous). Déroulez plusieurs mètres de câble métallique. Remplacez le bouton à cadran du mécanisme d'embrayage en position embrayée. Faites enrouler et dérouler quelques instants le câble sur le treuil pour vérifier la rotation du tambour. Si le tambour tourne dans le mauvais sens, vérifiez le câblage électrique. Si le fonctionnement n'est pas dans le bon sens, il est possible que vous ayez inversé la connexion du fil jaune et du fil bleu à l'une des deux extrémités. Si le tambour tourne toujours dans le mauvais sens, assurez-vous que le fil rouge et le fil noir ne sont pas inversés à l'une des deux extrémités. Vérifiez ensuite la connexion des fils sur le commutateur.



ATTENTION

Faites bien attention aux couleurs du fil.

Conseils pour maximiser la longévité de votre treuil

1. ASSUREZ-VOUS QUE LE CÂBLE MÉTALLIQUE EST TOUJOURS ENROULÉ SANS JEU SUR LE TAMBOUR. Le câble métallique doit toujours être serré et enroulé de façon uniforme sur le tambour. Assurez-vous qu'il n'est jamais enroulé de façon lâche. S'il est mal enroulé, il est probable que lors de l'utilisation suivante, la partie de câble sous tension s'infilte sous les couches inférieures de câble enroulé de façon lâche et arrive ainsi jusqu'au tambour, ce qui risque d'endommager le câble. Il est fortement recommandé qu'après chaque utilisation, le câble soit enroulé avec une légère tension, pouvant être appliquée avec la sangle de sécurité (figure 3) et TOUJOURS en portant des gants.

2. ÉVITEZ QUE LE MOTEUR DU TREUIL NE SURCHAUFFE. Faites en sorte que les manœuvres de treuillage soient aussi courtes que possible. Si le moteur devient suffisamment chaud pour que vous ne puissiez y laisser votre main, arrêtez le treuillage et laissez refroidir le moteur. Par exemple, si vous tirez une charge de 567 kg (1250 lb), laissez le moteur refroidir après 20 secondes d'effort. Si vous tirez une charge de 227 kg (500 lb) ou moins, laissez le moteur refroidir après 2-1/2 minutes d'effort. LAISSEZ LE MOTEUR DU VÉHICULE TOURNER POUR RECHARGER LA BATTERIE durant la pause de refroidissement.

3. POUR TIRER UNE CHARGE LOURDE, UTILISEZ UNE MOUFLE. Afin de maximiser la longévité du treuil et du câble métallique, utilisez une moufle (non inclus) pour doubler le câble et mieux tenir la charge lourde (figure 2). Utilisez toujours une moufle ayant une capacité nominale deux fois supérieure à celle du treuil.

⚠ ATTENTION ⚠

SI LE MOTEUR DU TREUIL SE BLOQUE, ARRÊTEZ DE FORCER.

4. La force nécessaire pour commencer à tirer une charge est souvent plus grande que celle nécessaire pour la maintenir en mouvement. DURANT UN TREUILLAGE, ÉVITER LES ARRÊTS ET DÉMARRAGES SUCCESSIFS.

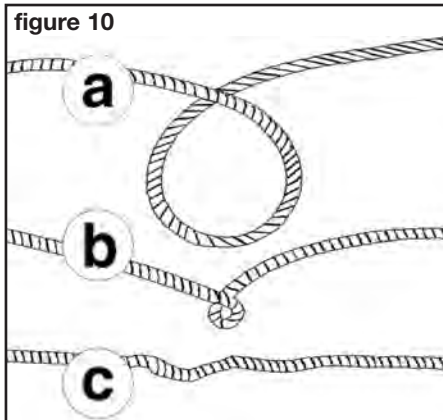
5. PRÉVENEZ LES PLIURES AVANT QU'ELLES NE SURVIENNENT (figure 10)

a. Voici comment commence une pliure. Le câble métallique doit immédiatement être redressé.

b. Le câble a été tiré et la boucle a été fermée pour former une pliure. Le câble est alors définitivement endommagé et DOIT être remplacé.

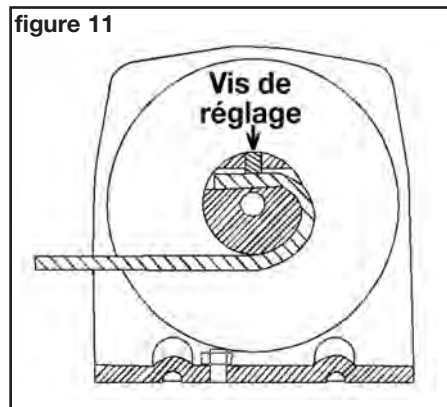
c. Après une pliure, les brins du câble ne soutiennent plus tous la même charge et ceux qui

soutiennent le plus de charge risquent de se rompre, ce qui réduit la capacité du câble. Le câble métallique DOIT donc être remplacé.



REPLACEMENT DU CÂBLE MÉTALLIQUE

N'installez jamais un câble plus gros ou plus fin que le câble d'origine. N'installez jamais un câble fabriqué avec autre chose que des fils métalliques. Utilisez uniquement un câble métallique galvanisé 7 x 19 d'un diamètre de 5/32". Fixez le câble métallique sur le tambour. Lorsque vous insérez le câble métallique dans le tambour, insérez le dans la bonne extrémité de l'orifice prévu à cet effet (figure 11). Serrez solidement la vis d'arrêt.



Entretien et réparation

⚠ AVERTISSEMENT Avant chaque utilisation, vérifiez le serrage des boulons de montage et l'état du câble métallique. Vérifiez également l'état de la télécommande. Utilisez périodiquement un chiffon propre et sec pour enlever les saletés et les débris.

Lubrification:

La boîte d'engrenages est lubrifiée de façon permanente. NE TENTEZ PAS DE DÉMONTER LA BOÎTE D'ENGRENAGES. VOUS ANNULERIEZ ALORS LA GARANTIE.

Dépannage

Si un problème survient, n'hésitez pas à appeler le service clients de la société Keeper au 1 800 533-7372.

Symptômes	Causes possibles	Solutions
Le moteur refuse de fonctionner ou tourne dans un seul sens	<ol style="list-style-type: none">1. Fils coupés ou mauvaise connexion sur la batterie2. Commutateur défectueux3. Disjoncteur grillé4. Treuil endommagé	<ol style="list-style-type: none">1. Vérifiez les connexions, ainsi que la propreté et le serrage des fils.2. Remplacez le commutateur*3. Remplacez le disjoncteur*4. Remplacez-le treuil
Le moteur est très chaud lorsqu'il tourne	<ol style="list-style-type: none">1. Utilisation prolongée2. Dommages permanents causés par une surchauffe	<ol style="list-style-type: none">1. Laissez-le refroidir2. Remplacez le treuil
Le moteur tourne, mais sans force ou très lentement	<ol style="list-style-type: none">1. Batterie faible/à plat2. Fil trop long entre le treuil et la batterie3. Batterie mal connectée4. Mauvais raccord de masse5. Moteur endommagé	<ol style="list-style-type: none">1. Rechargez ou remplacez la batterie Vérifiez le système de recharge2. Installez le treuil selon la distance permise pour les conducteurs fournis3. Vérifiez la propreté des bornes de la batterie. Nettoyez si nécessaire.4. Vérifiez et nettoyez les connexions5. Remplacez le treuil
Le moteur tourne mais pas le tambour	L'embrayage est débrayé	Embrayez le mécanisme d'embrayage
Le treuil tourne À l'envers	<ol style="list-style-type: none">1. Fils de batterie inversés2. Fils de commutateur inversés3. Commutateur mal installé	<ol style="list-style-type: none">1. Vérifiez le câblage2. Vérifiez le câblage3. Vérifiez l'installation du commutateur
Le treuil glisse	Charge excessive	Réduisez la charge ou doublez le câble

*Sur le modèle KT2000, il est uniquement possible de remplacer le commutateur, le disjoncteur et le câble métallique. Veuillez contacter le service clients de la société Keeper Corporation au 1-800-533-7372 ou écrivez nous à sales@keepercorp.com

Toutes les informations figurant dans les présentes sont sujettes à modification et correction sans préavis.

GARANTIE LIMITÉE VALABLE À VIE : La société Keeper garantit ce produit conformément aux dispositions suivantes: les composants mécaniques sont garantis contre les défauts de matériaux et de fabrication pendant toute la durée de vie utile du treuil, tandis que les composants électriques sont garantis contre les défauts de matériaux et de fabrication pendant une année. Si vous découvrez un défaut de matériaux ou de fabrication, composez le 1 800-533-7372 et demandez des instructions pour faire réparer ou remplacer le produit. Cette garantie s'applique uniquement à l'acheteur/consommateur original du produit, à compter de la date d'achat. Les produits défectueux retournés deviennent propriété du fabricant. Restrictions d'application de la garantie – La présente garantie est soumise aux restrictions suivantes : (a) La garantie s'applique uniquement aux produits présentant un défaut de matériaux ou de fabrication. Cette garantie ne couvre pas l'usure normale du produit. Cette garantie ne couvre pas les frais de service et de main d'œuvre encourus pour enlever ou remplacer le produit. (b) La garantie ne couvre pas la finition du treuil ni le câble métallique. Par conséquent, le fabricant n'acceptera pas de remplacer, réparer ou refaire la finition d'un produit si la finition du produit est usée de quelque manière que ce soit. (c) La garantie ne couvre pas les produits endommagés ou ne fonctionnant pas correctement après que le produit ait fait l'objet d'un usage abusif, d'une négligence, d'une mauvaise utilisation quelconque, d'un accident, d'une surcharge, d'une mauvaise installation ou d'une modification effectuée par une autre personne qu'un employé du fabricant, de l'un de ses agents ou de l'un de ses représentants.

Obligations de l'acheteur et/ou du consommateur. Pour bénéficier de cette garantie, l'acheteur/consommateur doit retourner le produit défectueux en port payé à la société Keeper ou à l'un de ses centres de réparation autorisés, avec une preuve d'achat confirmant la période de validité de la garantie.

Droits juridiques et restrictions s'appliquant à l'acheteur/consommateur. CETTE GARANTIE VOUS ACCORDE DES DROITS JURIDIQUES PRÉCIS MAIS IL EST POSSIBLE QUE VOUS AYEZ ÉGALEMENT D'AUTRES DROITS SELON VOTRE LIEU DE RÉSIDENCE. TOUTE GARANTIE IMPLICITE DE COMMERCIALISATION OU DE CONVENANCE À UN USAGE QUELCONQUE POUVANT S'APPLIQUER À UN PRODUIT SERA LIMITÉE AUX CONDITIONS DE LA GARANTIE À PARTIR DE LA DATE D'ACHAT AU DÉTAIL PAR L'ACHETEUR ORIGINAL. PUISQUE CERTAINES JURIDICTIONS INTERDISENT LES LIMITATIONS OU RESTRICTIONS DE GARANTIE IMPLICITE, IL EST POSSIBLE QUE LES EXCLUSIONS OU RESTRICTIONS CI-DESSUS NE S'APPLIQUENT PAS À VOUS.

KEEPER CORPORATION, 6 INDUSTRIAL PARK DRIVE, NORTH WINDHAM, CONNECTICUT 06256
800-533-7372

TRAKKER™ KT2000 CONSIGNES DE SÉCURITÉ, D'INSTALLATION, D'UTILISATION ET D'ENTRETIEN